

The Coolio

Locally
Made



Spec Sheet

Five
At
Heart

**Make your space
look the part. The
off the shelf fridge
cupboard.**



**Five
At
Heart**

The Coolio.



Five At Heart

The Coolio

Material

Laminated MDF door (AUS: E0 MR)
(with extensive colour range)

White particleboard carcass (AUS: E1 MR)

Moisture resistant base with black finish

Can be fitted with select door handles to suit

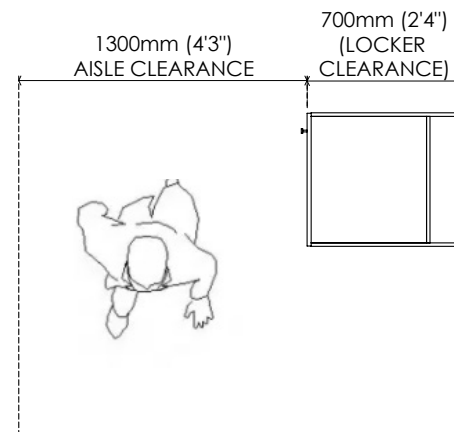
Specifications

(Z) Bulk head or 30 degree slope top
(Optional)

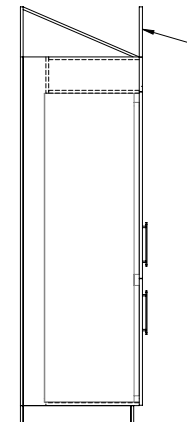
(Y) Streamline vent

Bosch Serie | 6 built-in 273L fridge-freezer
KIN86AD30A

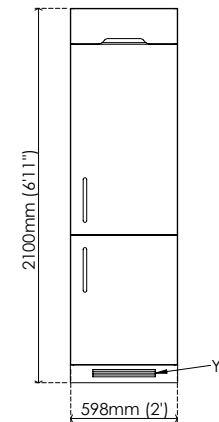
TOP VIEW



SIDE VIEW



FRONT VIEW



Coolio Warranty and Technical Data

Warranty Information

Five At Heart products come with a standard 7 year warranty, effective from the handover date.

For the Warranty period, we warrant that the equipment (and any materials) we supply will comply with the relevant standards at the date of installation.

Electrical services are NOT supplied/installed by Five at Heart

This warranty is limited and may be excluded in part or in full in light of user damage or failure to install to Five At Heart specification.

We recommend a monthly visual inspection for signs of damage or need for cleaning.

Contact Five At Heart in the event of product damage.

Disclaimer

Images may differ from actual product and specifications may change without prior notice.

AUS, UK, CAN: manufactured to metric dimensions.

USA: manufactured to imperial dimensions.

Power Requirements

Unit requires connecting to standard AC power supply for Bosch Serie | 6 built-in 273L fridge-freezer, KIN86AD30A to function. An electrician will need to wire onsite (done by others).

Installation Requirements

The Coolio requires ventilation front of base and top of unit (**Fig 1**).

Lockers/auxiliary units require a minimum of 16mm (5/8") at the end of each nib wall for filler panels and 50mm (2") for corner fillers.

Maintenance Requirements

If any moving parts appear to be malfunctioning, discontinue use and contact Five At Heart.

Cleaning

For general care and maintenance, simply wipe away most spills or marks with a damp cloth, or wipe clean with a non abrasive household cleaner.

Do not submerge product at any point.

Avoid scourers and abrasives, as they will damage the surface.

Do not use waxes or polishing products as they dull the natural shine.

Appliances

Refer to Original Equipment Manufacturer (OEM) for warranty and technical data.

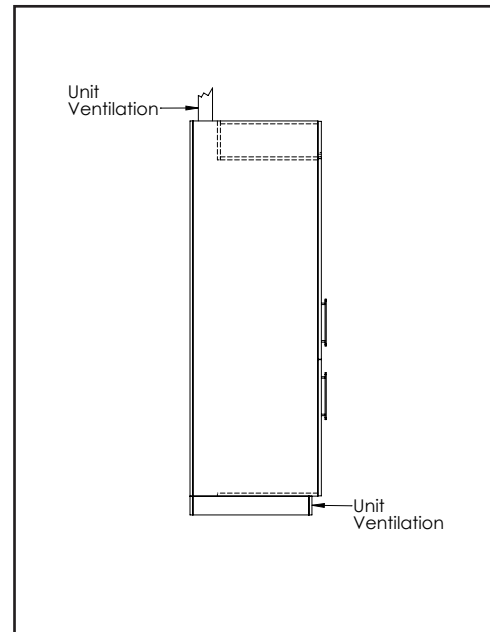


Fig 1 The Coolio requires ventilation front of base and top of unit.

Five At Heart



Creating
spaces
for however
you Roll...



fiveatheart.com

Australia

(+61) 1300 769 332 or au_info@fiveatheart.com

North America

(+1) 888 218 3433 or na_info@fiveatheart.com

Europe

+44 (0)20 3137 1966 or eu_info@fiveatheart.com