





PRODUCT

SUPER SPEEDY BICYCLE RACK

MATERIALS INFORMATION

1.5" OD Schedule 40
ASTM A36 Steel
1/4" Flat Steel Flange

POWDER COAT OPTIONS

- | | | | |
|--|---------------|--|----------------|
| <input type="checkbox"/>  | Black | <input type="checkbox"/>  | Celestial Blue |
| <input type="checkbox"/>  | Silver Gray | <input type="checkbox"/>  | Mesa Tan |
| <input type="checkbox"/>  | Emerald Green | <input type="checkbox"/>  | Fire Engine |
| <input type="checkbox"/>  | Pearl White | <input type="checkbox"/>  | Red Graphite |

ADDITIONAL PROTECTION *

-  Anti-Graffiti

STAINLESS STEEL FINISH *

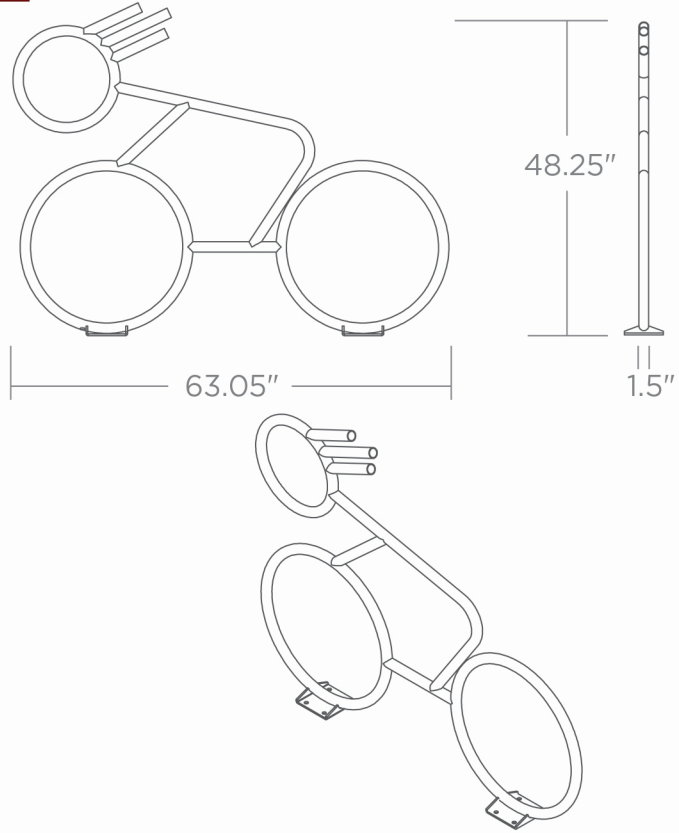
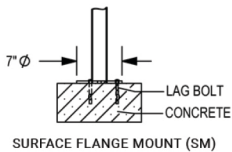
-  DA Sanded

GALVANIZED FINISH *

-  Galvanized

MOUNTING

- Surface Mount



* = Additional Cost

Rack Quantity: _____

Approved Date: _____

Approved Signature: _____