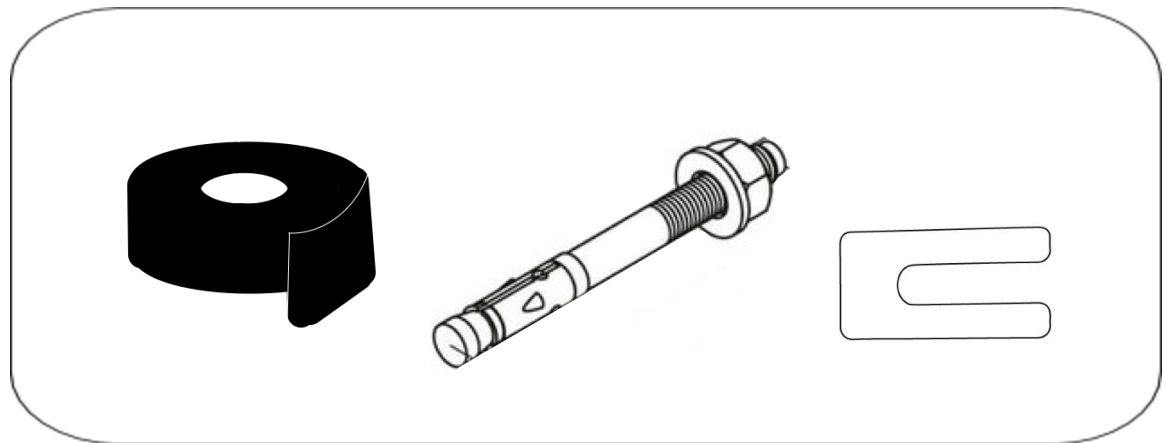
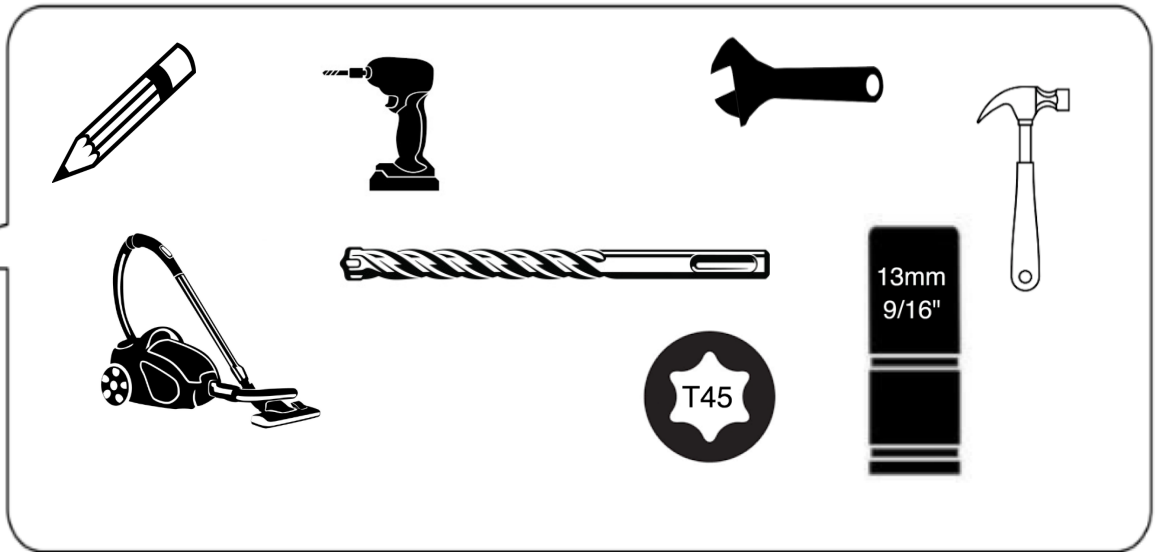
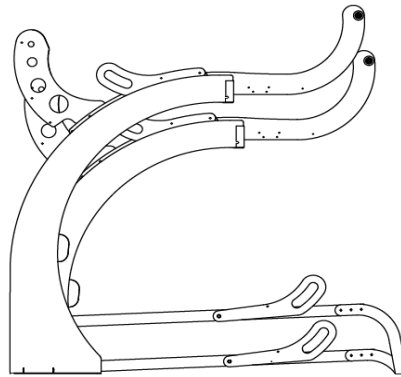
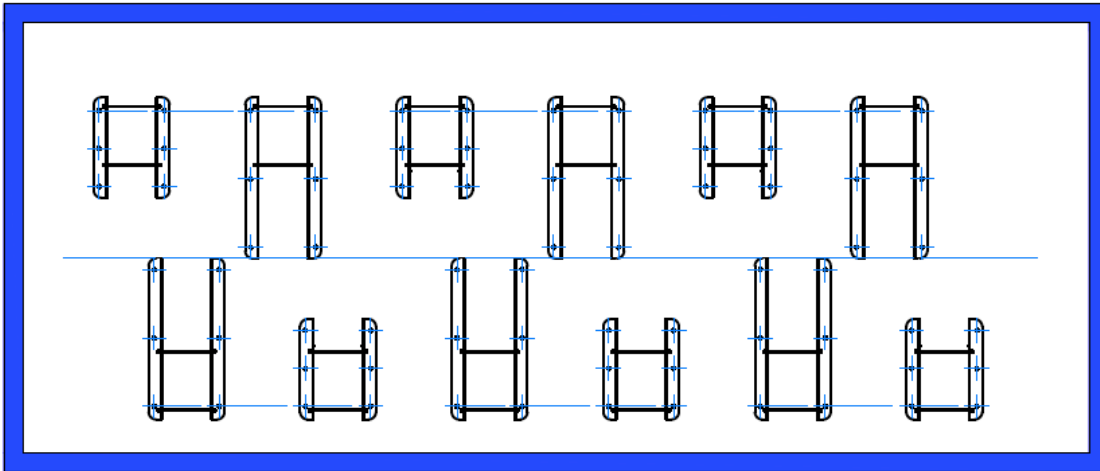


# HOW TO INSTALL THE... ARC

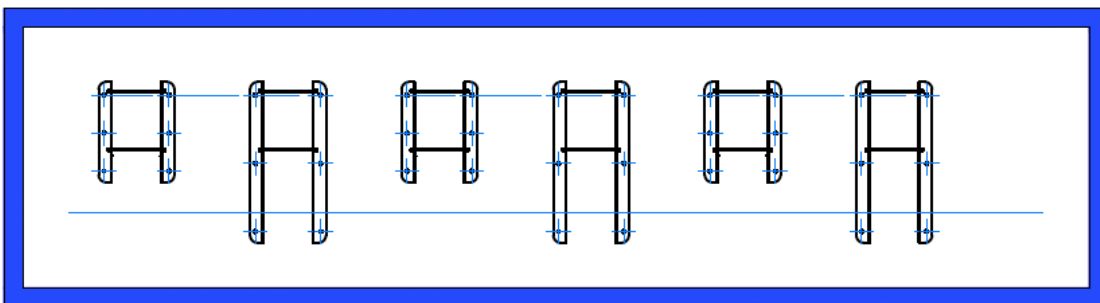


# 1

## Back to Back Arc's



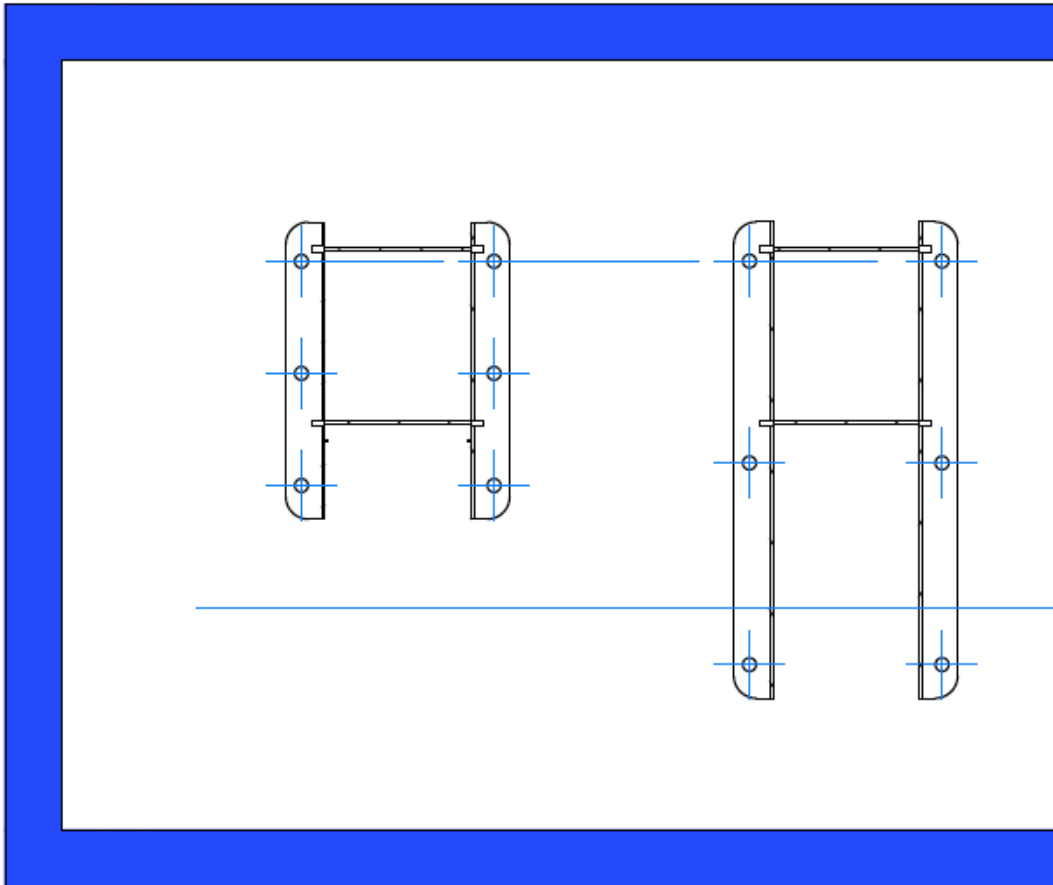
## Single Sided Arc's



Check the pushbike Arc specification before commencing the installation. Using the dimensions listed on the drawing, position the Arc set out roll in the correct location. Double check you are happy with the positioning of the paper and then tape down the edges of the paper with the masking tape so that it doesn't move.

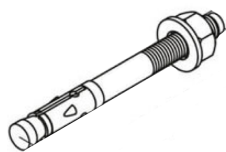
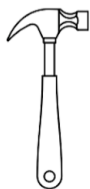
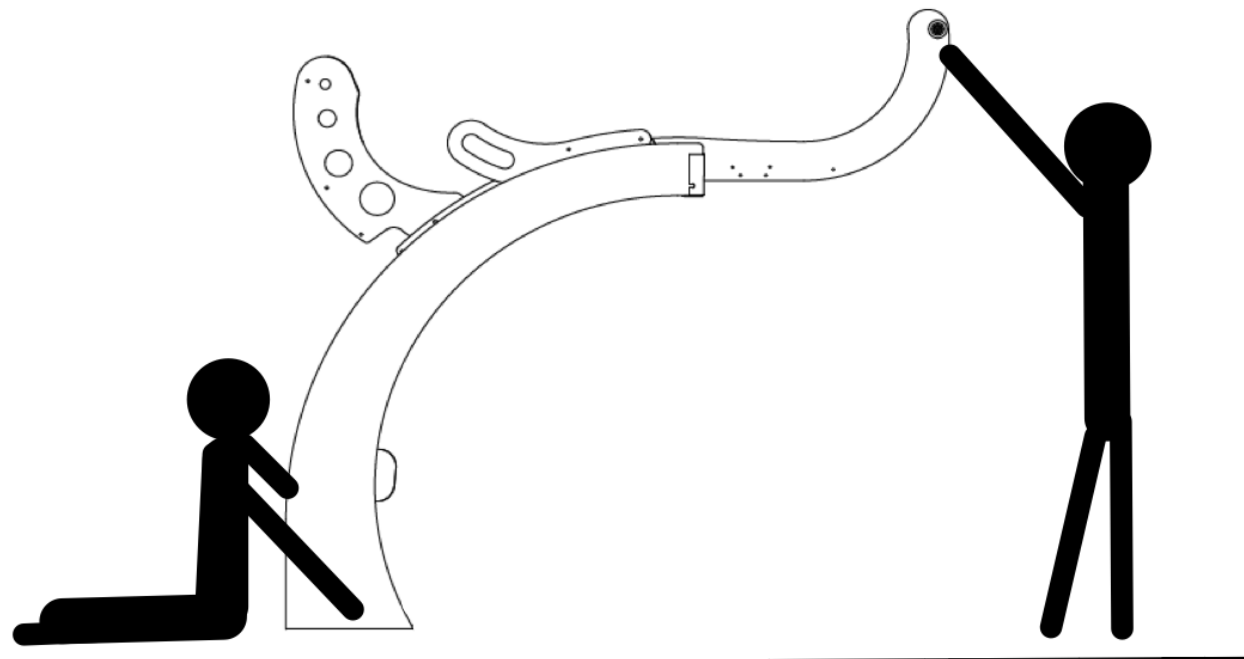
There are two variations of Arc layouts (Back to back and single sided). The above diagram shows both layouts.

## 2



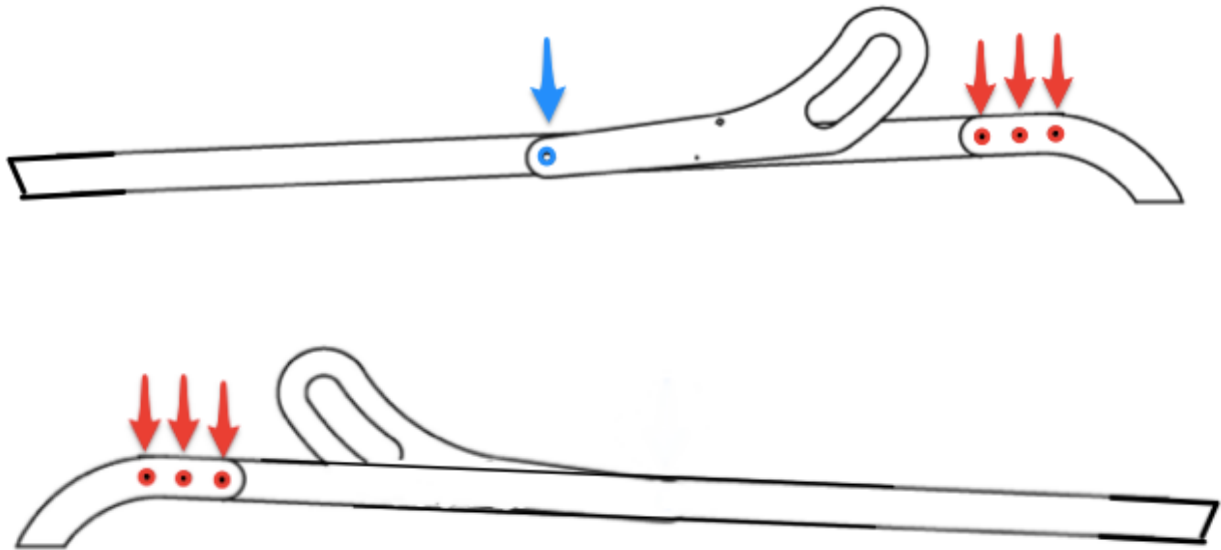
Using the hammer drill and 10mm drill bit, drill each of the 6 x holes indicated with a  $\oplus$  symbol. Drill each of the holes to a depth of 55mm. It will help to mark the drill bit with a pen or piece of tape at 55mm before commencing the drilling works. Work your way along the paper and drill out all the remaining holes. When you are finished, vacuum all the dust and remove and dispose of the set out paper.

## 3



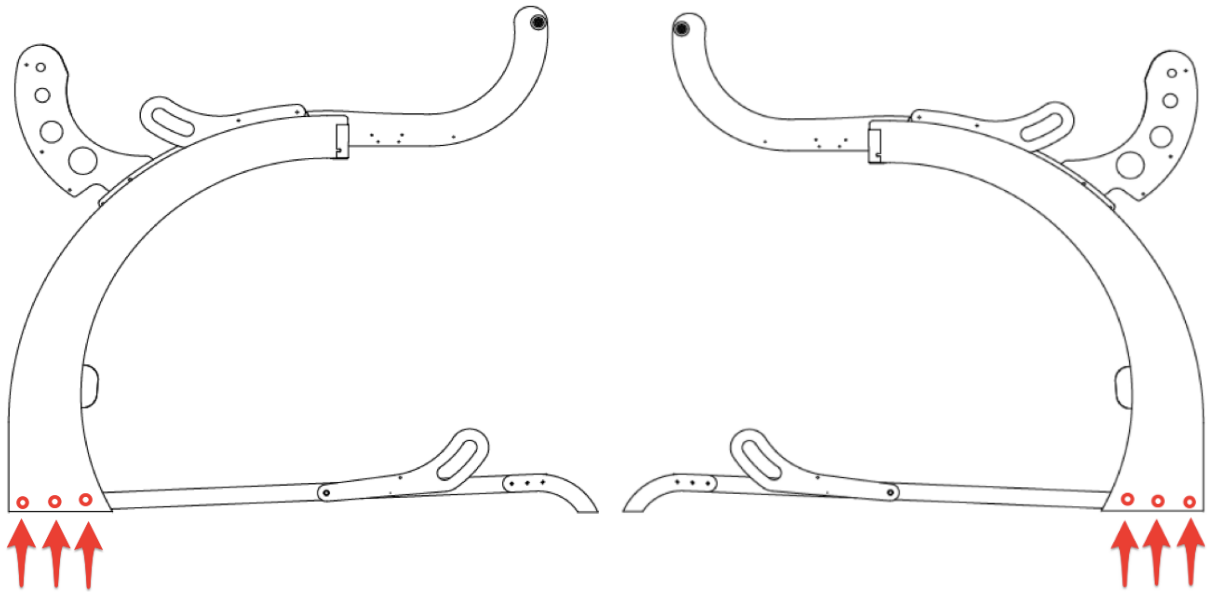
Wheel the Arc in to position using the trolley. Position the base plate of the Arc over the 6 x fixing holes. When the Arc is finally in position, one person will need to hold the Arc steady by holding the handle. The other person should install the anchor bolts. It's important to hit each of the 6 x anchor bolts in half way as it is often difficult to drill the holes with 100% accuracy. Once each of the bolts have been hammered in approx half way, you can continue to hammer them in to the full depth. Tighten the nuts with a spanner/impact driver. Continue installing the remaining Arc's in position using this method.

4



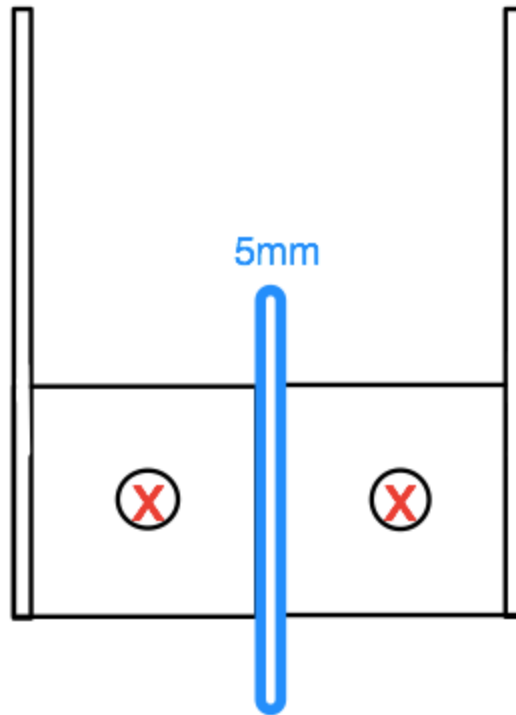
Follow the above diagram to build the Arc 'tray & feet'. Attach the feet to Arc tray using the 6 x nuts & bolts (indicated in red on the above diagram). Attach the 'Wheel catcher' to the Arc tray using the 1 x security nut and bolt (indicated in blue on the above diagram). Tighten using an adjustable spanner.

# 5

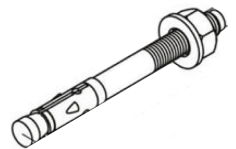


Now that the Arc feet have been assembled, you can attach them to the base of the Arc. Follow the above diagram and attach the tray to the Arc base using 6 x nuts & bolts, Big feet attach to the bigger Arc's and smaller feet attach to smaller Arc's. Continue attaching the trays to the remaining Arcs.

# 6

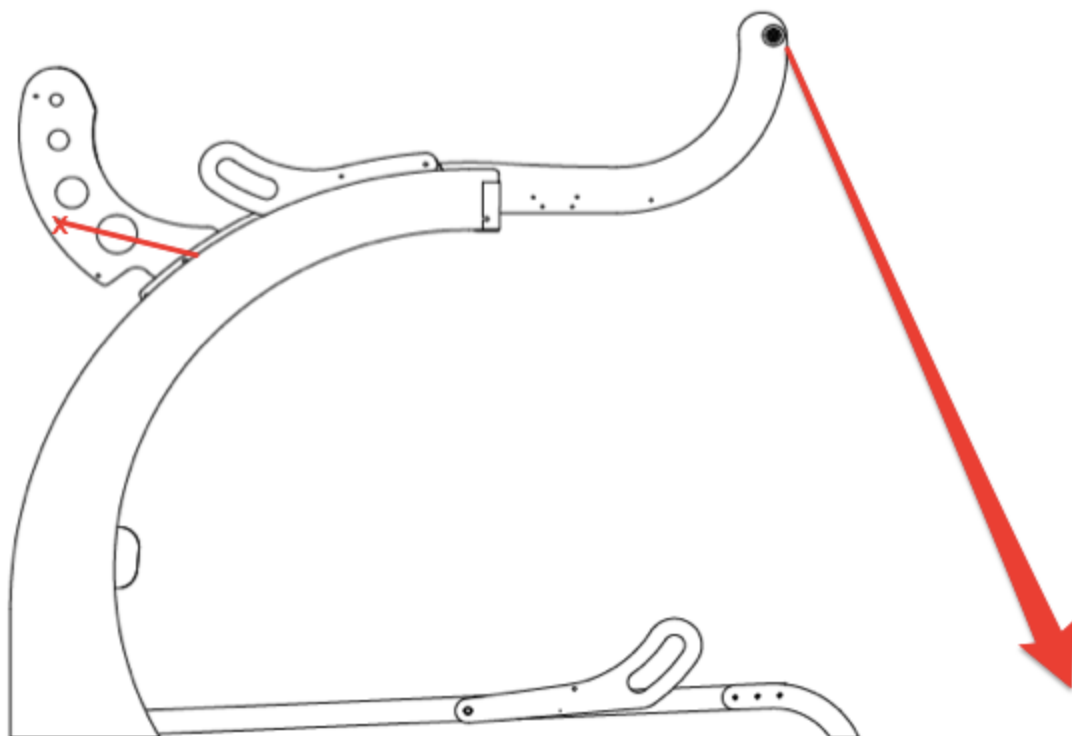


13mm  
9/16"



Use a 5mm packer to separate the two feet. Secure the feet to the floor by drilling through each of the 2 x holes shown in the diagram above. Vacuum out the dust, hammer in the anchor bolt and tighten with a spanner/impact driver.

7



Carefully use a utility knife to remove the plastic from the Arc. Attach the struts to the wheel holder (shown in diagram above) using the 2 x nuts. Only finger tighten these nuts. Test the Arc works by gently pulling the handle down toward the floor. The Arc arm should pull down with minimal effort. The Arc is now installed.



